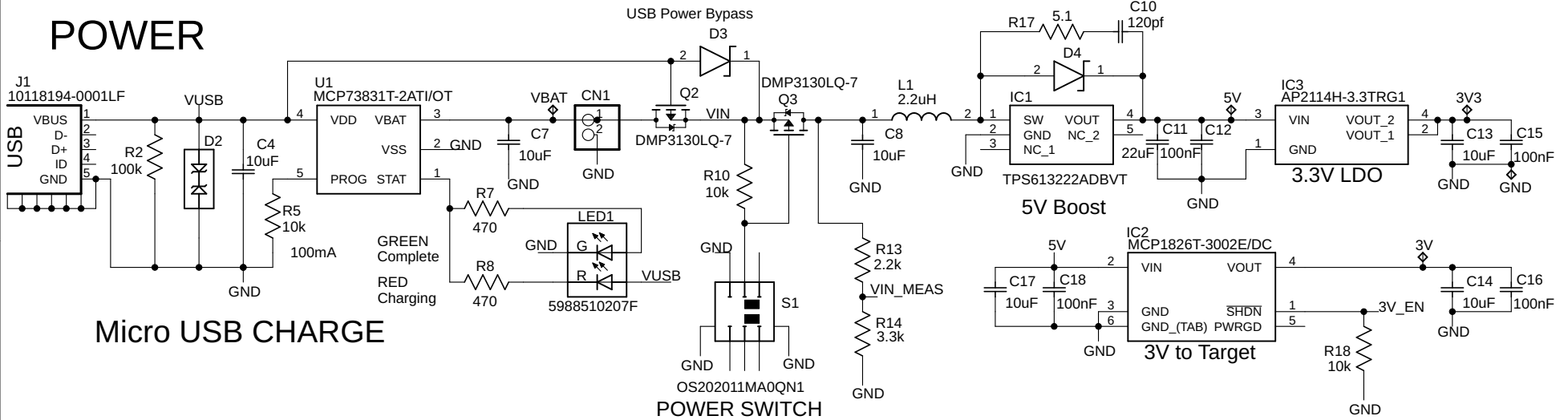
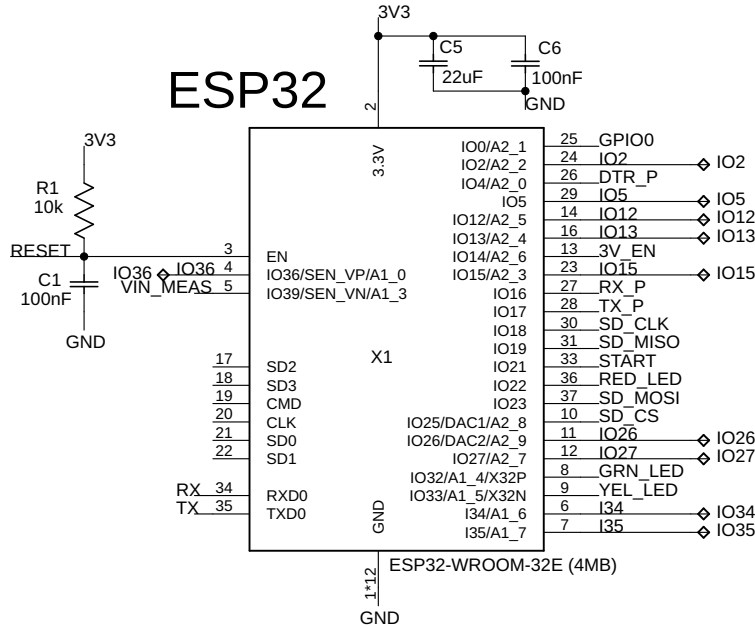


# POWER



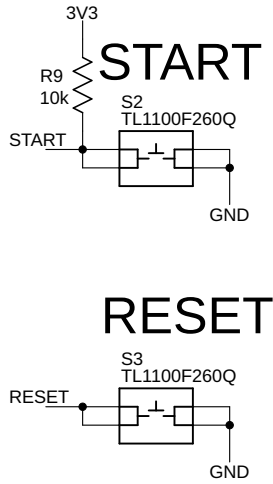
# Micro USB CHARGE

# ESP32

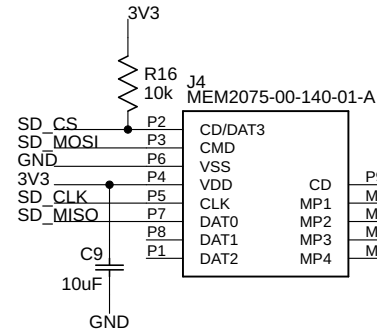


# START

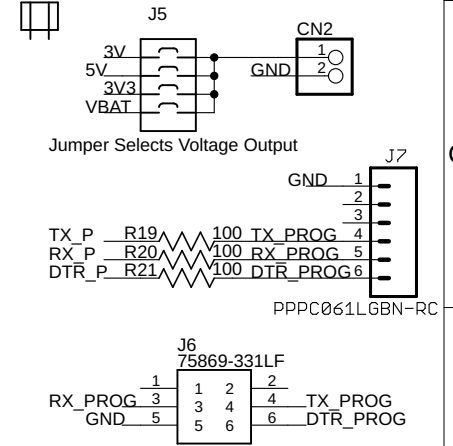
# RESET



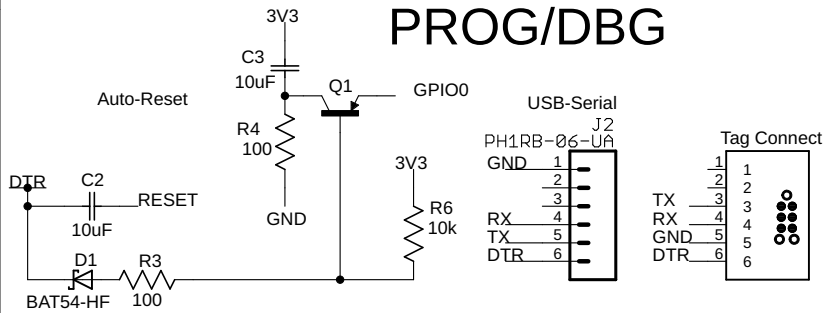
# SD CARD



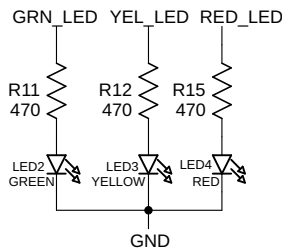
# TARGET



# PROG/DBG



# LEDS



TITLE: ESP32programmerV1.0

Document Number:

REV:

Date: 1/28/22 12:15 AM

Sheet: 1/1